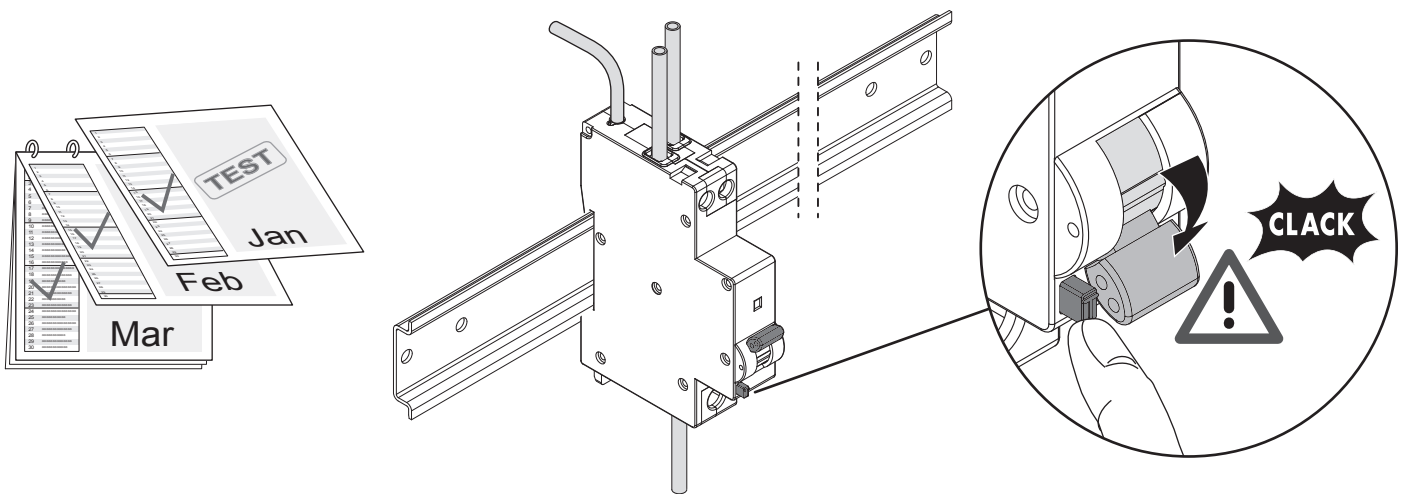
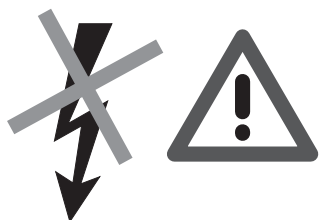


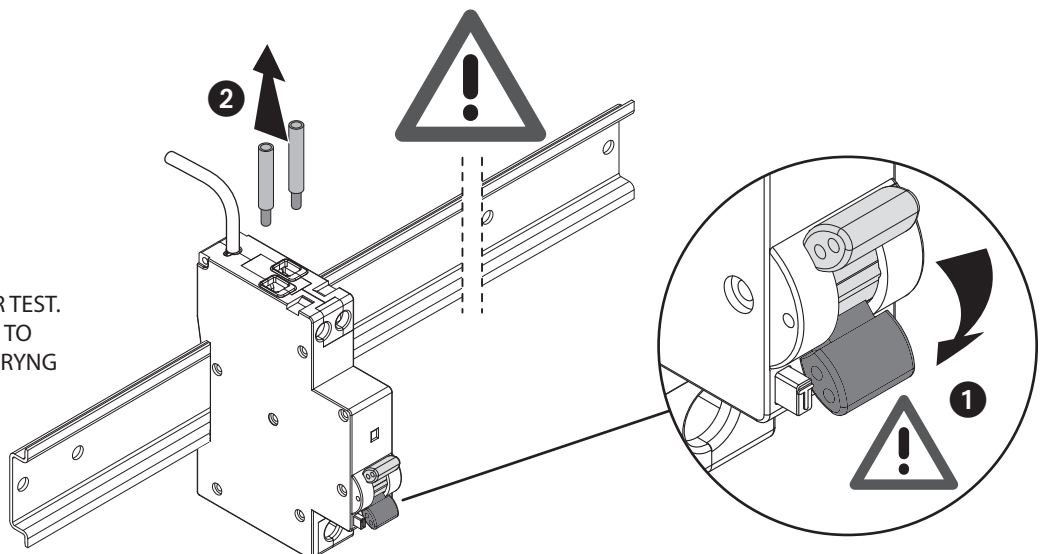
**PERIODIC TEST**



**INSULATION RESISTANCE TEST**



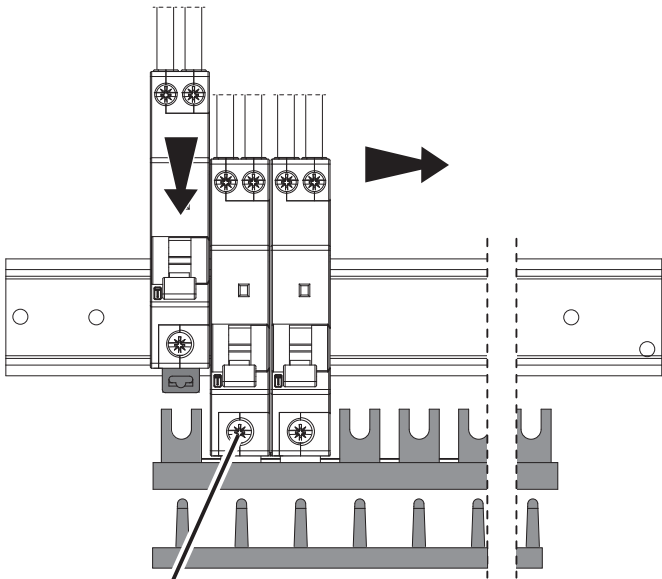
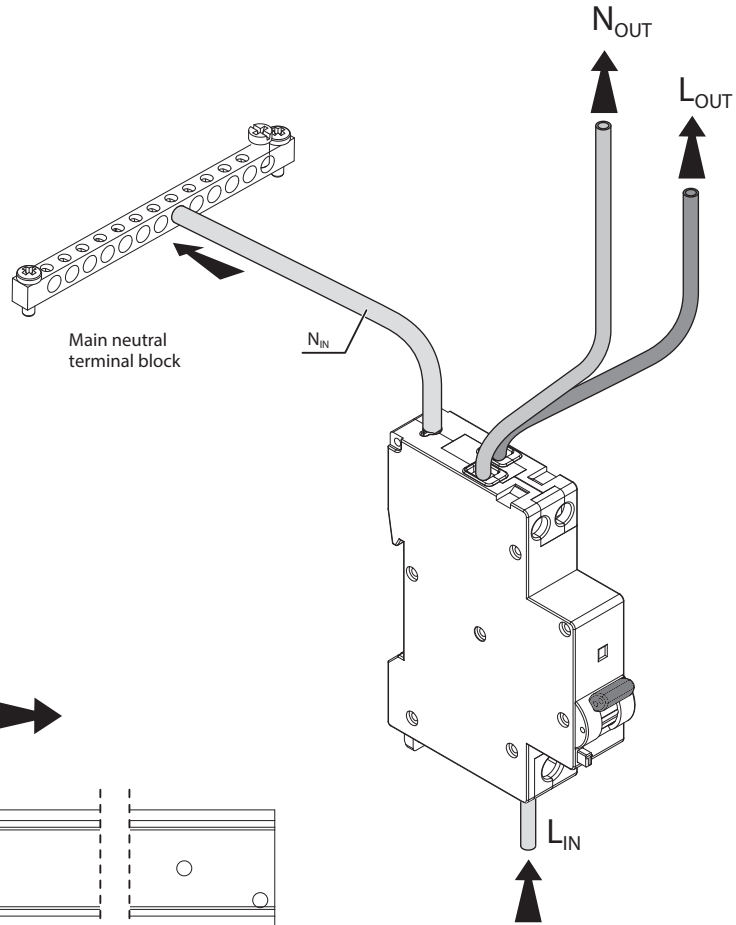
DO NOT SUBJECT RCBO TO MEGGER TEST.  
DISCONNECT ALL CONDUCTORS TO  
LOAD/FINAL CIRCUITS BEFORE CARRYING  
OUT INSULATION TEST



**NON REVERSIBLE CONNECTION**

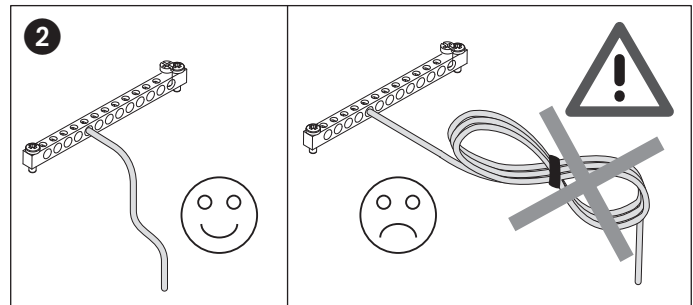
Cable length = 900 mm

Main terminal block



6.5 mm max  
mini : 2 Nm  
maxi : 2,5 Nm  
PZ 2

5.5 mm max mini : 1,2 Nm maxi : 2,5 Nm PZ 2	12 mm 1,5 - 16 mm <sup>2</sup>
6.5 mm max mini : 2 Nm maxi : 2,5 Nm PZ 2	12 mm 1,5 - 10 mm <sup>2</sup>
6.5 mm max mini : 2 Nm maxi : 2,5 Nm PZ 2	14 mm 1,5 - 35 mm <sup>2</sup>
6.5 mm max mini : 2 Nm maxi : 2,5 Nm PZ 2	14 mm 1,5 - 25 mm <sup>2</sup>



**These instructions are to be kept for reference and must be given to users:**

For your safety, this distribution board is fitted with residual current protection devices that must be periodically tested.

In the absence of national regulations concerning testing frequency, Legrand recommends that the test be carried out monthly.

Pressing on the « T » button should trip the device. Should this not happen, call an electrician immediately as the safety of your installation is reduced.

The presence of a residual current protection device does not remove the need to observe all precautions linked to the use of electrical energy.

GB IE